

APPLICATIONS

Provides reliable pressure boosting and water supply while minimising annoying shower temperature fluctuations.

FEATURES



- CH-PC incorporates dry run protection
- Quiet operation
- Vital parts made of stainless steel for a long life
- Built-in thermal protection (1 x 240 V)
- Electrophoresis coating to resist corrosion

CONSTRUCTION

- Stainless steel impellers, intermediate chambers and shaft
- Carbon / ceramic seal
- IP54 motor
- Insulation Class F
- Maximum ambient temperature: + 55 °C

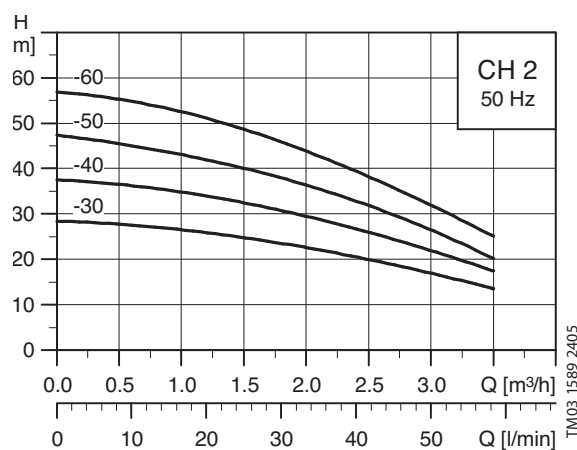
PERFORMANCE

Pumps	Discharge Pressure (kPa/psi)						
	150	200	250	300	350	400	450
	22	29	36	44	51	58	65
Output (l/min)							
CH2-30 PC15	49	35	20	-	-	-	-
CH2-40 PC15	54	49	40	27	16	-	-
CH2-50 PC15	54	49	46	37	30	21	-
CH2-60 PC22	57	53	48	44	37	30	24
CH4-40 PC15	83	72	54	26	-	-	-
CH4-50 PC22	103	95	83	66	44	17	-
CH4-60 PC22	111	103	95	81	72	60	46
CH2-30 PT8	31	24	13	-	-	-	-
CH2-40 PT18	54	49	40	26	8	-	-
CH2-50 PT18	57	53	46	34	28	-	-
CH2-60 PT18	58	56	50	45	36	29	23
CH4-40 PT18	106	86	64	-	-	-	-
CH4-50 PT18	120	108	89	68	45	19	-
CH4-60 PT18	127	121	109	98	83	69	49

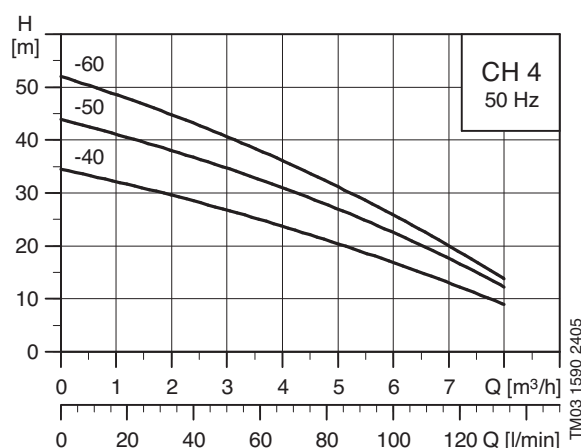
As a guide 1 tap  = 10 litres per minute • 1 sprinkler  = 15 litres per minute



CH-PC & CH-PT

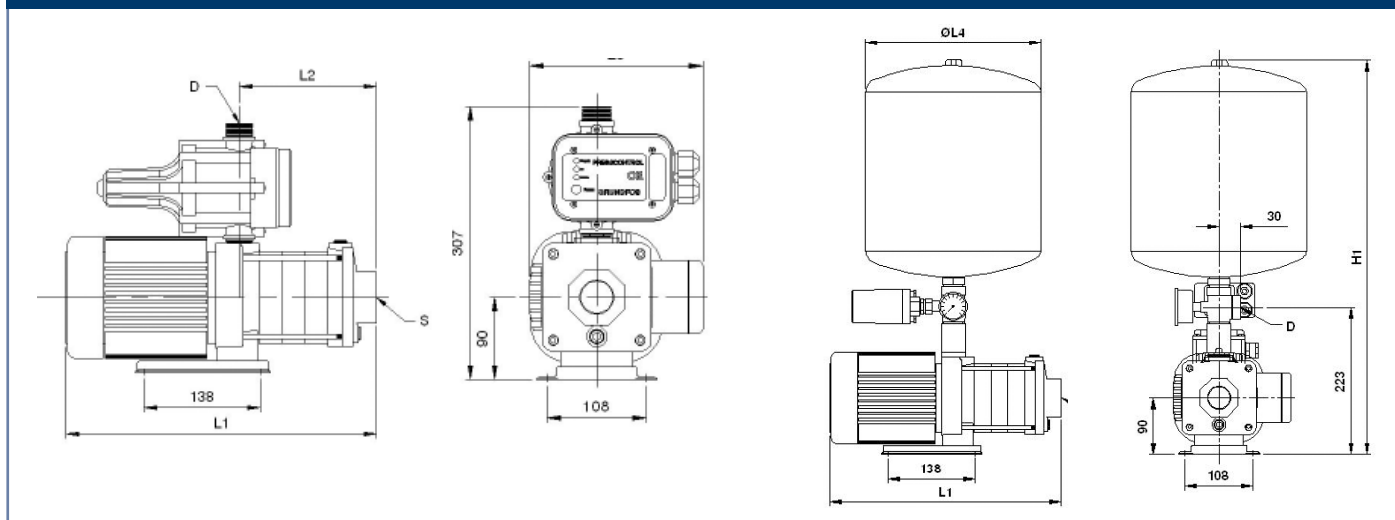


Bare pumps only - there is a pressure drop using the PC versions.



Bare pumps only - there is a pressure drop using the PC versions.

DIMENSIONS



TECHNICAL FEATURES

Pumps	P2 (kW)	1ph In (A)	Water temp (°C)	Connections			Dimensions (mm)					Weight (kg)		Cut-in/Cut-out	
				inlet	outlet		L1	L2	L3	L4	H1	PC	PT	kPa	psi
					PC	PT									
CH2-30	0.30	2.3	0/65	1" F	1" M	1" F	324	117	188	202	556	11	13	140-245	20-36
CH2-40	0.39	2.6	0/65	1" F	1" M	1" F	340	135	188	279	620	12.3	14.3	175-315	25-46
CH2-50	0.45	2.9	0/65	1" F	1" M	1" F	368	154	188	279	620	12.7	14.7	200-385	29-56
CH2-60	0.56	3.7	0/65	1" F	1" M	1" F	376	172	188	279	620	13	15	350-500	51-72
CH4-40	0.64	5.5	0/65	1 1/4" F	1" M	1" F	370	163	188	279	620	13.7	15.7	170-320	24-46
CH4-50	1.05	6	0/65	1 1/4" F	1" M	1" F	436	190	206	279	620	14.3	16.3	200-380	29-55
CH4-60	1.05	7	0/65	1 1/4" F	1" M	1" F	466	217	206	279	620	16.6	18.6	245-460	36-66

Tank pressure set 10% below cut-in pressure

